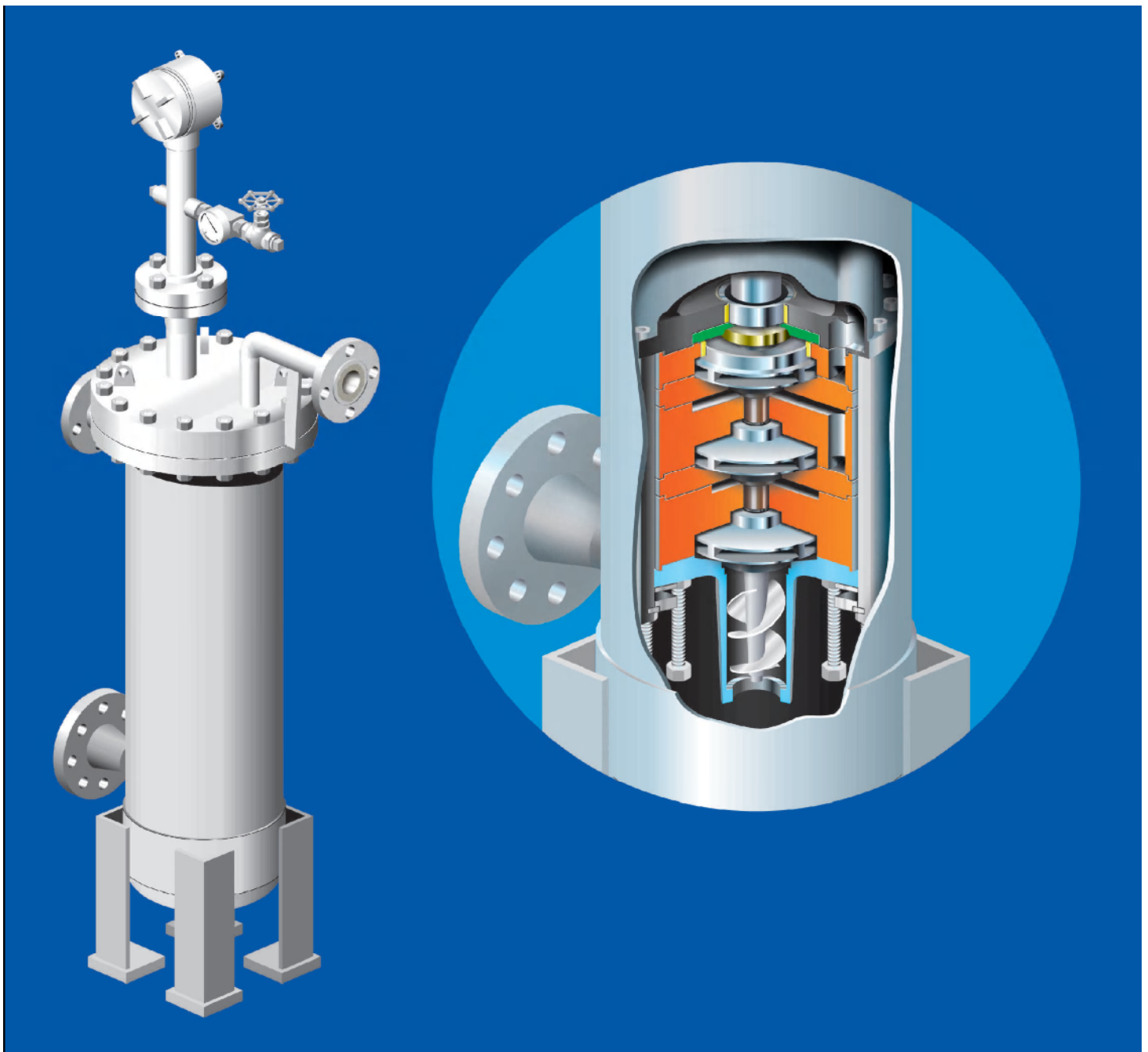
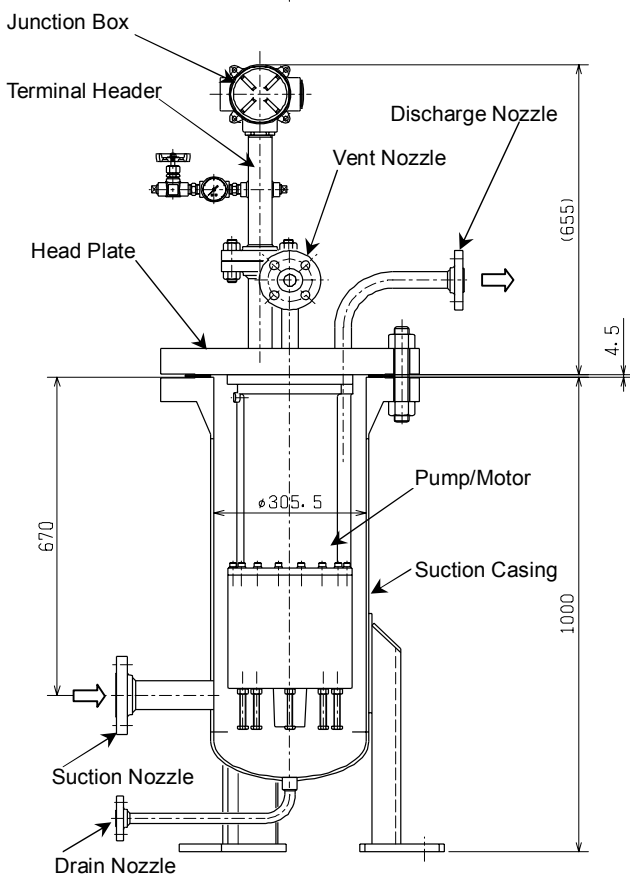
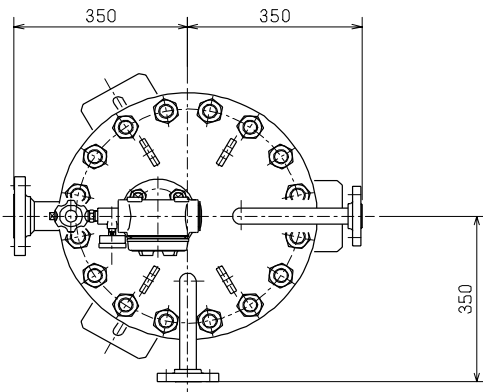


Variable Speed Cryogenic Pump For Smaller Gas Turbine / Co-Generation System



Features • Compact design for smaller gas turbine/ co-generation systems

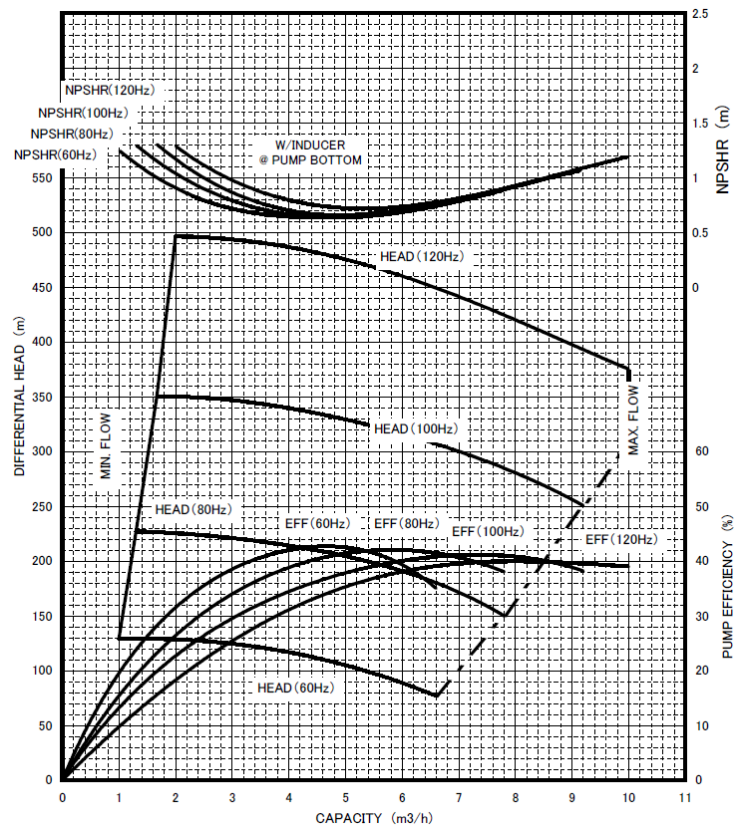
- Soft start/flexible speed control by inverter drive is available
- Created by Nikkiso's Low-Flow, High-Head and High-Speed Technology



Pump Model	62007L3-P7.5R	62007L3-P15R
Capacity / Differential Head	1 ~ 10 m ³ /h / 490m (Max.)	
Pump Speed	Maximum 7200 rpm	
Design Pressure	3 MPaG	
Motor Output (Wet Motor)	7.5kW	15kW
Inverter Output	11kW	18.5kW
Pump Material	Aluminum / Stainless Steel	

Mass	Pump / Motor		100 kg
	Terminal Header / Junction Box		20kg
	Options	Suction Casing / Head Plate	180kg
		Inverter	-

Connections	Suction Nozzle	ANSI CLASS300 2" RF
	Discharge Nozzle	ANSI CLASS300 1" RF



NIKKISO CO., LTD.

Cryogenic Pump Division: 16-2, Noguchi-cho, Higashimurayama, Tokyo 189-8520, Japan
 Telephone: +81-42-392-3548 Facsimile: +81-42-392-3549
 Factories: Tokyo, Shizuoka, Kanazawa, Japan International: Germany, China, Singapore

NIKKISO CRYO, EUROPE

Fountain Court, 2 Victoria Square Street, St. Albans, Hertfordshire AL1 3TF U.K.
 Telephone: +44-1727-884-949 Facsimile: +44-1727-884-800

NIKKISO CRYO, INC.

4661 Eaker Street, North Las Vegas, NV 89081-2746, U.S.A.
 Telephone: +1-702-643-4900 Facsimile: +1-702-643-0391